

Part number

# CAOT 24.6





## Brief description:

hoods for two levers, size "104.27", side entry, 1' NPT, metal version, IP66



Product description	
Version	metal version
Series	hoods for two levers
Product type	with 4 pegs
Variant	side entry
Style	high construction
Family	CLASS enclosures
Size	size "104.27"
Technical data	
Material	metal
IP degree of protection	IP66 (and IP69K DIN 40050 - 9)
Cable entry	1" NPT
Further technical details	
Weight	228,00 g

Approvals / Standards	
Quality mark	 (type:4/4X/12),  , EAC
Conformity	CQC, CE
General ordering information	
EAN13 code	8015747007092
Tariff number	85369095
Packaging Information	
Packaging length	260,00 mm
Packaging height	155,00 mm
Packaging width	200,00 mm
Packaging weight	2,28 kg
Packaging volume	8,06 dm <sup>3</sup>
Packaging description	Carton box
Packaging quantity	10 Pcs
Packaging EAN code	8015747121392
Sub-packaging weight	1,14 kg
Sub-packaging description	Plastic packaging
Sub-packaging quantity	5 Pcs
Sub-packaging EAN barcode	8015747007108

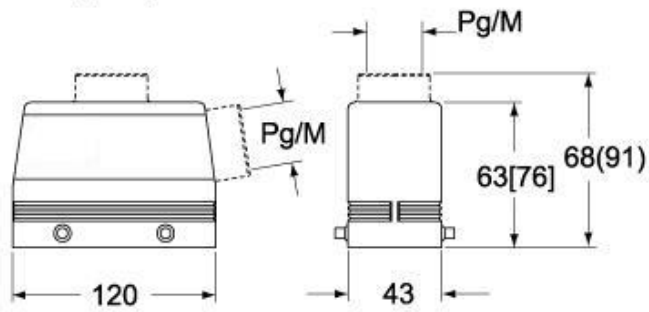
Part number

# CAOT 24.6



Catalogue drawings

**CHO [CAO] CHV (CAV) - MHO [MAO]  
MHV (MAV)**



**CHV G (CAV G) - MHV G (MAV G) - [MFV G]**

